

GL-BL60 Series User's Manual

Thank you for choosing the GL-BL60 Series LED products. Please install and use the products according to the following directions to ensure normal function and operation. If you do not follow these instructions to properly install and use the GL-BL60, you will not be eligible for warranty compensation or protection. We do not take any responsibility for product damage resulting from improper installation or abnormal usage.



* For 3 in 1 dimmable function

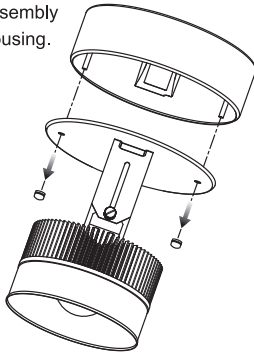
- "DIM+ / DIM-" Connecting a variable resistor (10K~100K resistor) / 1~10Vdc Direct Voltage or a 10V / PWM signal can adjust the dimmable lighting.
- Connecting "DIM+ / DIM-" to "AC L / AC N" may damage the Lighting.
- When the control cable "DIM+ / DIM-" is open, LED Light output is 100%.
- The 3 in 1 Dimmer is not capable of turning off the LED light completely. To turn off the light, we would recommend you to use the dimmer with a switch.

For detailed 3 in 1 dimmable function description, please visit the web site: <http://www.glaciallight.com/products/PDF/3in1Dimming-Function.pdf>

Installation Steps

Step 1.

Unscrew the cap nuts and detach the LED assembly from the housing.

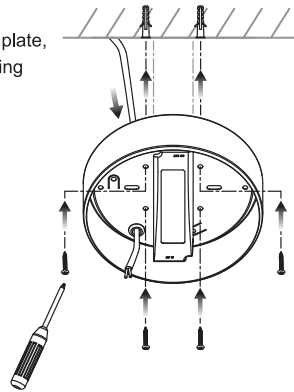


Step 2.

Insert the power cord through the mounting plate, then screw the mounting plate on the ceiling.

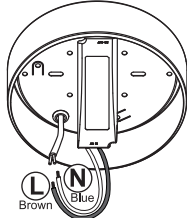


Make sure to turn off the power before installing.



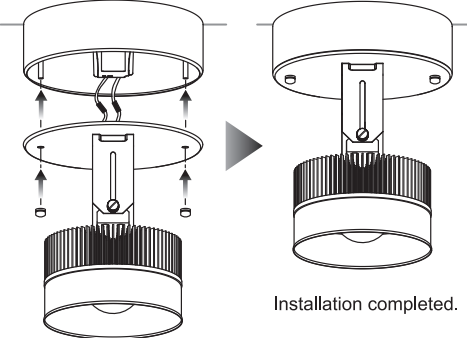
Step 3.

For non-dimmable
Connect the power cord with the internal LED driver (L/N).



Step 4.

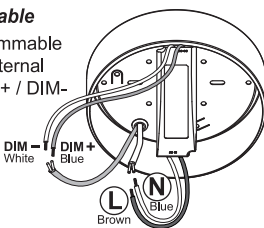
Reattach the LED assembly and secure it by screwing the cap nuts back in place.



Installation completed.

* For 3 in 1 dimmable

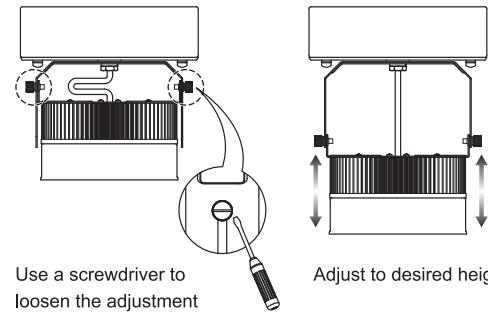
- (1) Connect the Dimmable power cord with the internal LED driver DIM+ / DIM-
- (2) Dimmable the power cord with the internal LED driver (L/N)



* Connecting "DIM+ / DIM-" to "AC L / AC N" may damage the Lighting.

Adjustment

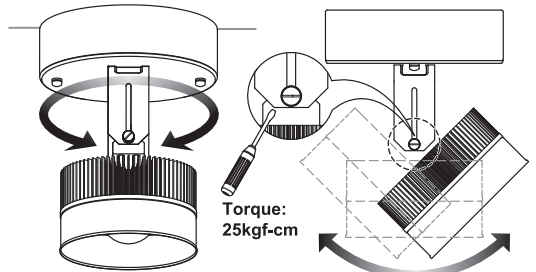
Step A.



Use a screwdriver to loosen the adjustment screws.

Adjust to desired height.

Step B.

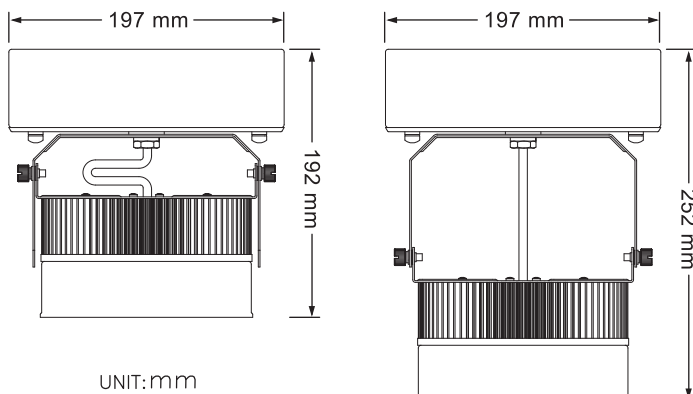


Rotate the brace to the desired orientation.

Torque:
25kgf-cm

Adjust the lighting angle of the fixture. (Tighten the adjustment screws with the screwdriver and you're done)

GL-BL60 Outlook



UNIT:mm

CAUTIONS

1. If the external flexible cable or cord of this luminaire is damaged, it shall be exclusively replaced by the manufacturer or his service agent or a similar qualified person in order to avoid a hazard.
2. Prior to installation, remove the AC power.

GL-BL60 系列 使用手冊

感謝您選擇使用GL-BL60 系列LED燈具。請您依據下列說明指示來安裝本產品以確保本產品的正常運作。如您未按說明指示妥善安裝以及正常使用，您的產品將無法得到正常的保修補償。不正常的安裝與使用所造成的產品損壞，本公司具免責權利。

* 3合1調光功能說明

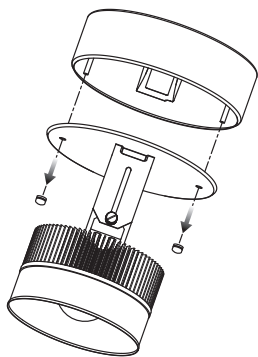
- 在DIM + 和DIM - 之間連接一個可變電阻(10K~100K resistor)或連接1~10Vdc直流電壓或10V / PWM信號，可調整亮度。
 - 勿將DIM + / DIM - 與AC L / AC N相連接，這樣會造成LED驅動器損壞。
 - 當控制線DIM + / DIM - 開路(open)時，亮度輸出為100%。
 - 3合1調光驅動器不能將LED照明完全關閉(0%)，要達到LED照明完全關閉(0%)建議使用含有開關(SW)的調光器。
- 相關詳細3合1調光功能說明，請至：<http://www.glaciallight.com/products/PDF/3in1Dimming-Function.pdf>



安裝指南

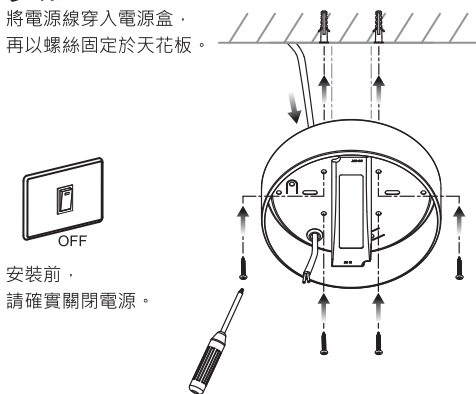
步驟 1.

移除裝飾螺帽，卸下前蓋組。



步驟 2.

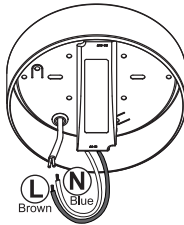
將電源線穿入電源盒，再以螺絲固定於天花板上。



安裝前，請確實關閉電源。

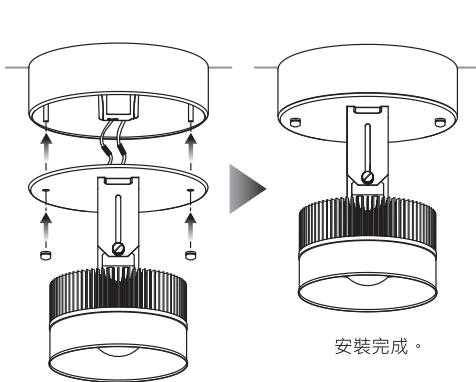
步驟 3.

* 無調光功能
連接電源線到電源驅動器 L / N



步驟 4.

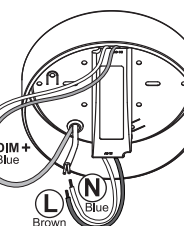
裝上前蓋組，鎖上裝飾螺帽。



安裝完成。

* 3合1調光功能

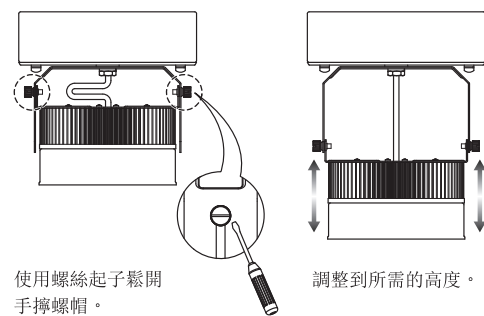
- (1) 連接調光線到電源驅動器 DIM+ / DIM-
- (2) 連接電源線到電源驅動器 (L/N)



· 勿將DIM + / DIM - 與AC L / AC N相連接，這樣會造成LED驅動器損壞。

調整說明

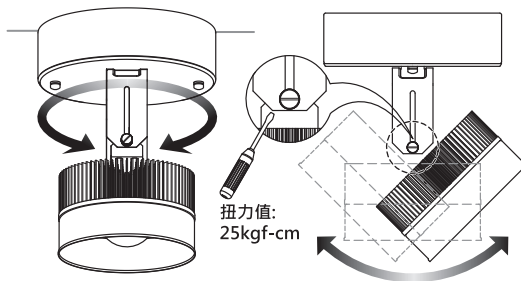
調整 A.



使用螺絲起子鬆開手擰螺帽。

調整到所需的高度。

調整 B.

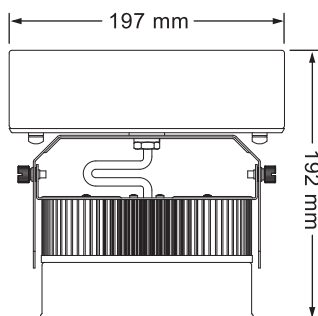


調整旋轉支架到所需的角。

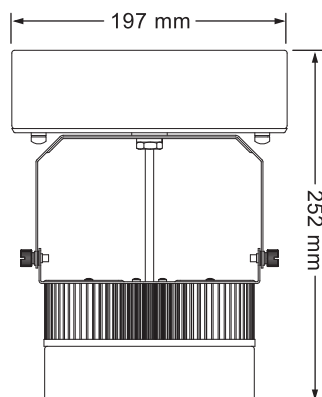
調整到所需的照明角度。(使用螺絲起子鎖緊手擰螺帽後即可完成)

扭力值:
25kgf-cm

GL-BL60 外觀



UNIT:mm



版權所有 翻印必究

警告

1. 如果燈具外部纜線有損壞，應當由製造商、代理商或符合資格的施工人員做更換，以避免危險。
2. 安裝前，請確實關閉交流電源。

BR

CE FC IP66



17-BL60S000002